



NMEA 2000 PC Interface

(using the Actisense Comms API)

NGT-1-USB

(Hardware revision A)

Installation Manual

Issue 1.00

- Gateway to connect between a PC's USB port and the NMEA 2000 network
- Uses the Actisense Comms API for bi-directional PC communications
- Complete electrical isolation (of 2500 volts) between USB and NMEA 2000
- Fully configurable via USB port or through the NMEA 2000 network

Contents

Important notices	4
Notices	4
Foreword	4
Introduction	4
Technical features	5
Software updates	5
Connecting devices together	5
The NMEA 2000 standard	5
Connections	6
Connecting to the NMEA 2000 Network	7
NMEA 2000 connections	7
Driver Installation Guide	7
Specifications	8
Troubleshooting guide	9
Status LEDs	9
Product order codes	10
Company Information	10

Important notices

Actisense and the Actisense logo are registered trademarks of Active Research Limited. All rights are reserved. The contents of this manual may not be transferred or copied without the expressed written permission of Active Research Limited. All other trademarks are the property of their respective owners.

The **Actisense** NMEA 2000 PC Interface (NGT-1-USB) is intended for use in a marine environment, primarily for below deck use. If the NGT-1-USB is to be used in a more severe environment, such use may be considered misuse under the seller's guarantee.

The NGT-1-USB has been certified to comply with the European directive for Electro-Magnetic Compatibility (EN60945), and is appropriately CE marked. Operation of the unit should be in conjunction with appropriate CE approved shielded connectors and cabling used in accordance with the CE directive EN60945. Any EMC related issues should be reported to Active Research immediately to allow the company to rectify or resolve EMC related problems in accordance with its obligations under EN60945.

If the unit is misconnected so that compliance failure occurs, the company shall not be held responsible for compliance failure until suitable EMC guidelines for connection are seen to have been taken.

Notices

When using this document, please note the following:

The products described in this manual and the specifications thereof may be changed without prior notice. To obtain up-to-date information and/or specifications, contact Active Research Limited or visit the **Actisense website (www.actisense.com)**.

Active Research Limited will not be liable for infringement of copyright, industrial property right, or other rights of a third party caused by the use of information or drawings described in this manual.

Active Research Limited will not be held responsible for any damage to the user that may result from an accident during operation of this unit when used in accordance with this document.

Foreword

At Active Research Limited, we recognise that instructions are often skipped, so we have aimed to write this document in an informative and direct manner that will aid the user. We have covered all the points a typical user needs to know.

Please read all sections before installing and using the NGT-1-USB, and any related software programs.

Introduction

The NGT-1-USB allows installers of equipment to adopt the NMEA 2000 network early, and enjoy the advantages of a single bus connection to all marine electronic devices around the entire boat.

The NMEA 2000 network reduces installation costs of marine equipment and greatly reduce a boat's wiring harness complexity, leading to improved reliability and reduction in unnecessary weight. Now only a single cable is required from the bridge to the engines, sensors and all other NMEA 2000 instruments on the boat

NMEA 2000 uses the "CAN Bus" system (prevalent in most modern cars), to provide the quality and security of data transmissions that the NMEA 0183 bus can never hope to provide. This enables NMEA 2000 products to achieve better data transmission reliability in the passage of data through the vessel.

The **Actisense** 'Certified Software' programme offers PC software manufacturers a quick method of adding an NGT-1 interface to their products - allowing them to share and interact safely on the NMEA 2000 network via the PC's USB port. The NGT-1 interface acts much like a firewall - preventing illegal operations and maintaining the integrity of the NMEA 2000 network.

As more PC software manufacturers use the NGT-1 interface to offer NMEA 2000 support to their customers, more users will experience the benefits of NMEA 2000.

Full information on the complete **Actisense** product range and a list of all **Actisense** 'NGT Certified Software' products can be found on the **Actisense website (www.actisense.com)**.

Technical features

High-speed 32-bit ARM processor capable of up to 40 million instructions per second.

Flash ROM technology that supports automatic programming for quick and easy updates, 10,000+ erase cycles and a 10-year Data Retention provides carefree user configuration.

On-chip memory store allows buffering of short term NMEA data, allowing the unit to smooth short-term peaks in the NMEA data flow.

Fully configurable via the USB or over the NMEA 2000 network allowing optimization of the PC interface to better suit the system it is a part of.

NMEA 2000 interface, opto-isolated to 2500 volts, protecting the system even during the most extreme fault conditions and fully compliant with the NMEA 2000 standard for interfacing with the NMEA 2000 network.

Separate USB and NMEA 2000 network power offer easy installation with no need for a direct connection to the vessels main battery supply. The NGT-1-USB takes power from the USB connection to power its USB circuitry, and power from the NMEA 2000 connection to power its NMEA 2000 circuitry. This creates total isolation between both power sources to completely eliminate the risk of ground loop faults occurring.

Software updates

The NGT-1-USB's built-in firmware is held in "flash" memory, allowing quick and easy upgrades using either the latest **NGT-1-USB ActiPatch**, or alternatively the **NMEA 2000 Gateway Configuration Tool** running on a PC connected to the NGT-1-USB.

It is our policy to provide these updates free on the [Actisense website \(www.actisense.com\)](http://www.actisense.com), so that the NMEA 2000 PC Interface (NGT-1-USB) can become more sophisticated with time, and should there be any bugs reported in the firmware, they can be promptly fixed without the unit requiring to come out of commission.

Connecting devices together

The NMEA 2000 standard

The NMEA 2000 system is a low-cost data network operating at 250 kbits/sec utilizing the Controller Area Network (CAN). Multiple devices can be connected together on a single trunk cable to simply and easily share information between themselves.

NMEA 2000 uses a shielded cable and a "differential" signalling scheme, whereby two wires are used to transmit the NMEA data named CAN High and CAN Low. These connections will be labelled as "NET HI" and "NET LO" respectively. Power is also supplied through the NMEA 2000 cable named NET Supply and NET Common. These connections will be labelled "NET SUP" and "NET COM" respectively on the PCB.

Please refer to the [Connecting to the NMEA 2000 Network](#) section for an example of these connection methods.

Connections

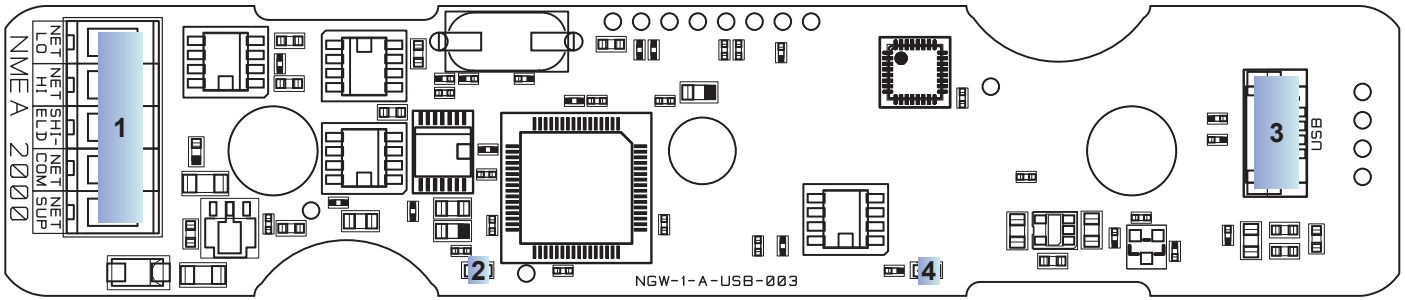


Figure 1 – All external connections

Figure 1 shows an internal view of the NGT-1-USB Printed Circuit Board (PCB).

1. **NMEA 2000 Interface**

A five way screw terminal block is supplied for connecting the NMEA 2000 cable. The CAN interface is fully compatible with the NMEA 2000 standard.

Actisense supplies a pre-fitted four-core screened cable for the NMEA 2000 connection, fitted with a male micro-fit connector. The colour codes used for this cable are:

Wire colour	NMEA 2000
Shield / Screen	SHIELD
Blue	NET LO
White	NET HI
Black	NET COM
Red	NET SUP

If you need to use your own NMEA 2000 cable, the five way screw terminal block is provided within the NGT-1 to allow easy connection, along with a spare cable gland that should be fitted on to the new cable to help maintain the water protection level.

Any such cable is required to conform in full to the NMEA 2000 specification and be no longer than 6 metres (maximum drop length).

2. **NMEA 2000 indicator LED**

This LED flashes when NMEA 2000 data to be transferred is **received** by the NGT-1-USB. It can be clearly seen through the NGT-1-USB’s translucent lid when the case is closed.

3. **A micro-connector to connect to the supplied USB type A cable**

This connector should not normally be removed: it is installed at the factory and is not customer serviceable.

4. **USB indicator LED**

This LED flashes when USB data to be transferred is **received** by the NGT-1-USB. It can be clearly seen through the NGT-1-USB’s translucent lid when the case is closed.

To open the NGT-1-USB, remove the two screws in the base of the unit, then slide off the top of the case. The cable glands need to be slid out from the top of the case in order to access the internal connections. The NGT-1-USB circuitry will be left attached to the base of the unit and the two supplied cables attached to their connectors.

Note: When opening the NGT-1-USB case, be aware that the circuitry inside is not 100% protected against static electricity. Please ensure that, when opening the case, you use precautions against static damage by only touching the connector block and by holding the unit by its plastic base. In this way, the risks of static damage will be minimised.

Connecting to the NMEA 2000 Network

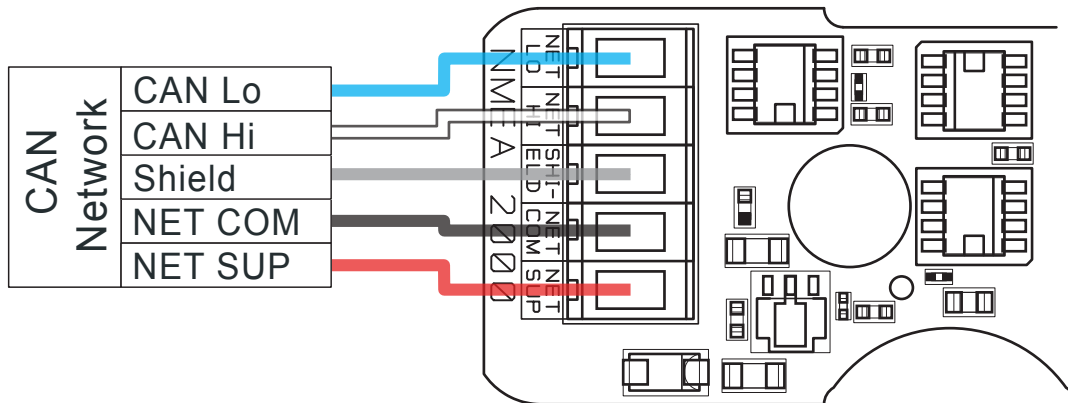


Figure 2 – NMEA 2000 connections

NMEA 2000 connections

The **Actisense** NGT-1-USB is designed to be connected to the vessel's NMEA 2000 network using the supplied, pre-fitted Actisense cable.

If a different length cable is required, an NMEA 2000 certified cable of the required length (maximum 6 metres) should be connected to the vessel's NMEA 2000 network using a standard male NMEA 2000 connector.

The standard wiring connection can be seen in Figure 2.

Note:

1. Wire colours are for guidance only. The colours given relate to the supplied Actisense cable and the NMEA 2000 standard cable definition.

Driver Installation Guide

The NGT-1-USB makes use of a virtual serial port driver (known as the 'Virtual COM Port' (VCP) driver) to interface between the USB port on the PC and the **Actisense** product (NGT).

This driver allows software running on a computer to communicate with the NGT-1-USB as if it was connected to a standard serial port on the computer, when in fact all communication is done over the USB connection.

Please read the "USB Driver Install Manual" document that accompanies this NGT Install Manual for full details on how to install the NGT-1-USB drivers.

Specifications

Parameter	Conditions	Min.	Max.	Unit
Supply				
Supply voltage		8	35	V
Supply current (see note 1)	Supply voltage = 12v	26	30	mA
	Supply voltage = 24v	16	18	mA
NMEA 2000 CAN Bus line (CAN-H; CAN-L) Transmitter				
Recessive bus voltage	VTXD = VDD; no load.	2.0	3.0	V
Dominant bus voltage CAN-H	VTXD = 0.8V	2.75	4.5	V
Dominant bus voltage CAN-L	VTXD = 0.8V	0.5	2.25	V
Recessive differential output voltage	VTXD = 2V; no load	-500	50	mV
Dominant differential output voltage	40Ω < RL < 60Ω	1.5	3.0	V
Short circuit output current CAN-H	VCAN-H = -5V	-	-200	mA
Short circuit output current CAN-L	VCAN-H = -40V, +40V. (see note 2)	-	200	mA
NMEA 2000 CAN Bus line (CAN-H; CAN-L) Receiver				
CAN-H, CAN-L common-mode input Resistance		5	50	KΩ
Differential input resistance		20	100	KΩ
USB Comms Input/Output				
Input to Ground	Full Galvanic Opto-isolation protection	-	2500	V
Baud rate	Configurable Baud rate	4800	230400	bps
General				
Ambient operating temperature		-20	+70	°C

Table 2 – NGT-1-USB specifications

All specifications are taken with reference to an ambient temperature (T_A) of +25°C.

Note:

1. Current consumption measured under no-load conditions
2. This parameter is periodically sampled and not 100% tested.

Troubleshooting guide

This guide will concentrate on all relevant troubleshooting issues above simple cable connection faults. Therefore, the cables between the NGT-1-USB hardware and any other devices should be checked as a matter of course, before continuing with this guide.

Status LEDs

The NGT-1-USB hardware has two bright LEDs that can be seen through the case to indicate when data is received from either the USB device or NMEA 2000 network connection. It is an important point to note that these two LEDs can only show when their respective data is RECEIVED; it is not possible to show both transmit and receive simultaneously on a single colour LED.

These LEDs can be used to debug potential problems. If both an NMEA 2000 ‘talker’ and a ‘listener’ are connected, it is possible to analyse which is working by disconnecting one of them or by stopping the PC software from sending data.

Sequence	Description
NMEA 2000 LED does not flash when the data is received from the NMEA 2000 network	Check that the NGT-1-USB is connected to the NMEA 2000 network, that the NMEA 2000 network is operational, and that the required PGN messages are selected for transfer by using the NGT Configuration Tool .
USB LED does not flash when the USB data is received	Check that the NGT-1-USB is connected to a PC USB port, that the device is recognised in the Windows Control Panel with the correct COM port (refer to USB Configuration section in USB Install User Manual) and that the required messages are selected to be transferred by using the NGT Configuration Tool .
Both LEDs flash together, once every 10 seconds	Indicates that the NGT-1-USB is powered but no data is received from either connection. If data should be being transferred through then check that the required PGN messages are selected by using the NGT Configuration Tool .
	<p>If the error persists, please contact Actisense support to help trace the issue before considering the return of the product. If Actisense support concludes that the NGT-1-USB unit should be returned to Actisense (refer to the Company Information section), a Returns Number will be issued by the support engineer.</p> <p>The Returns Number must be clearly visible on both the external packaging and any documentation returned with the product. Any returns sent without a Returns Number will incur a delay in being processed.</p>

Table 3 – Diagnostic LED

Product order codes

NGT-1-USB	NMEA 2000 ↔ USB Interface Standard version required to connect the NMEA 2000 network to a USB port (on a computer running Actisense certified software)
NGT-1-ISO	NMEA 2000 ↔ Serial Interface with ISO-Drive Special version required to connect the NMEA 2000 network to a serial port (on a computer running Actisense certified software)

Company Information

Active Research Limited
Unit 5 Wessex Trade Centre
Ringwood Road
Poole
Dorset. UK
BH12 3PF



Telephone: 01202 746682 (International : +44 1202 746682)
Fax: 01202 746683 (International : +44 1202 746683)

Actisense on the Web: For advice, support and product details

E-mail: support@actisense.com
Website: www.actisense.com

“Actisense” is a registered trademark of Active Research Limited.

The NGT-1-USB enables software certified to work with the Actisense interface standard to talk to devices on an NMEA 2000 network.

NMEA 2000 network data is freely available to any Actisense certified PC software to display.

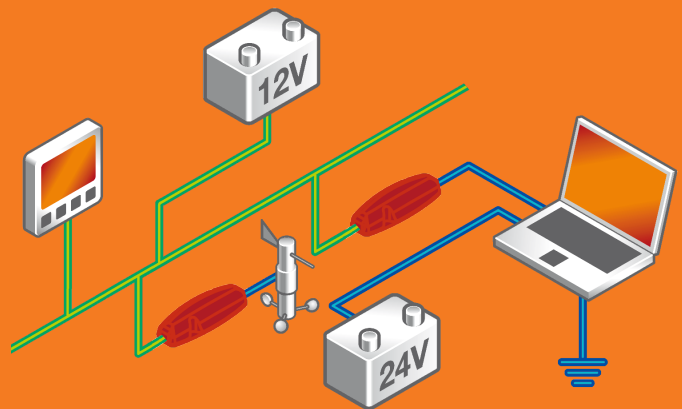
As an NMEA certified firewall, the NGT-1 allows NMEA 2000 data to be sent from the PC to control any NMEA 2000 devices on the network.

The NGT-1-USB's isolated USB connection makes it one of the best and safest ways to connect your computer to an NMEA 2000 network.

Just connect and relax, knowing that Actisense has it secured.

Benefits

- All NMEA 2000 instruments on the network can receive data sent from compatible PC software
- Compatible PC software can receive data from any NMEA 2000 instrument
- Electrical isolation separates the two networks, protecting against ground loop faults. This creates a protected computer and a safe installation
- Free **Actisense diagnostic software** shows what data and devices are on the NMEA 2000 network



Specifications

NMEA 2000 Connection

- NMEA 2000 network is opto-isolated from the USB connection to offer 2500 volts of protection
- NMEA 2000 current draw 20 mA typical
- Terminal block available for user cable connection
- Cable length 1.5 metres

USB Specification

- v1.1 and v2.0 compliant
- Up and downstream buffers for smoother data transfer
- Current draw 30 mA typical
- Baud rates 4800 to 230400
- Cable length 1.8 metres

System Requirements

- Supported OS's: Windows (2000, XP and Vista) and MAC OS X (check website for other versions)
- USB drivers included on CD

Environmental

- Recommended operating temperature: -20°C to +70°C
- Splash proof plastic casing provided with sealing cable glands certified to IP54
- Stainless steel case screws
- Humidity: 0-80% RH

Guarantee

- 3 years return to base

Certifications

- CE (EN60945)
- Tested and certified NMEA 2000 compliant



Active Research Limited, Unit 5 Wessex Trade Centre, Ringwood Road, Poole, Dorset, UK, BH12 3PF
Telephone: +44 (0)1202 746682 Fax: +44 (0)1202 746683

Actisense on the Web: For advice, support and product details
E-mail: support@actisense.com Website: www.actisense.com
"Actisense" is a registered trademark of Active Research Limited.