

AIS CARBON IDENTIFIER

AIS Vessel tracking device



Track your vessel using AIS IDENTIFIER

LEISURE



SECURITY



COMMERCIAL



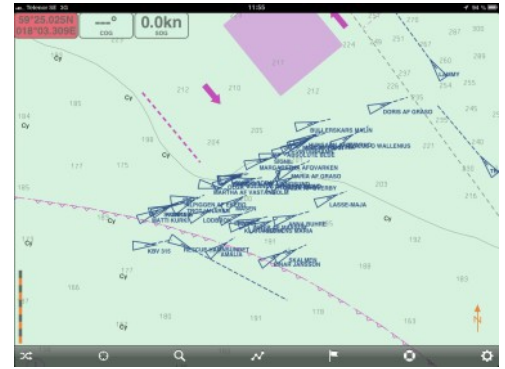
SAFETY



FEATURES

A truly unique product, AIS CARBON Identifier offers an innovative vessel tracking solution. Fully integrated GPS and VHF antennas as well as a long-life battery enables Identifier to offer a fully integrated AIS solution.

AIS CARBON Identifier is the world's lowest cost secure AIS solution with passive and active security functionality maintaining the integrity of AIS. A unique, True Heading, transmit and receive functionality enable compliance with both CSTDMA and SOTDMA transmit protocols. Advanced core technology ensures low power consumption, yet maintains maximum range.



PRODUCT SPECIFICATIONS

GPS receiver (AIS internal)

- IEC 61108-1 Ed. 2.0 compliant 50 channel receiver
- WAAS / EGNOS enabled for improved position accuracy

User interface

- Status LED
- SOS button with configurable messaging

Data interfaces

- Single TTL level serial interface for configuration
- Batch configuration can be performed at manufacture on request

Connectors

- Charge and configuration contacts are built into the base of the Identifier

VHF transceiver

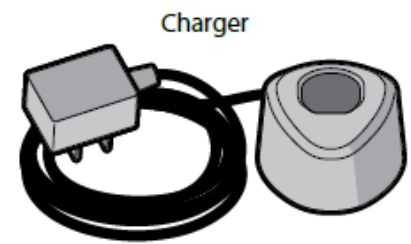
- Transmitter x 1
- Receiver x 1
- Frequency: 156.025 to 162.025 MHz in 25kHz steps
- Output power: 1W EIRP
- Channel bandwidth: 25KHz
- Channel step: 25KHz
- Modulation modes: 25KHz GMSK (AIS, transmit only)
- Bit rate: 9600 b/s (GMSK) and 1200 b/s (FSK)
- Receiver sensitivity: <-107dBm (carrier sense only)

Environmental

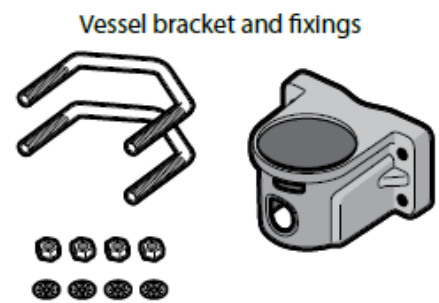
- IEC 60945 'Exposed' category
- Waterproof to IPx6 and IPx7
- Operating temperature: -15°C to +55°C



Identifier



Charger



Vessel bracket and fixings

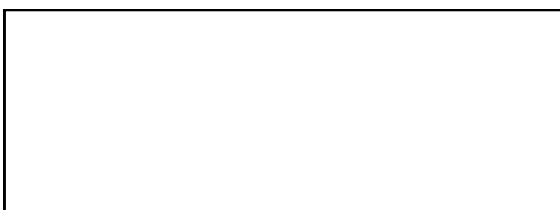
Physical

- Dimensions: 350mm x 63mm max. (H x D)
- Weight: 250g (Identifier unit only)
- Mounting bracket min / max pole diameter: 25mm to 55mm

Power

- Built in 2100mAh Lithium-Ion battery pack
- Up to 5 days operating time (depending on configured reporting rate)
- Charge time: 5 hours
- Charging dock supplied with universal input AC adapter

The Identifier has been carefully developed with technology to operate in a Carrier Sense ('CS') manner within the AIS system as envisaged by the International Maritime Organisation defined AIS system. It effectively behaves exactly like a Class B in regard to managing the AIS slot map, therefore ensuring the integrity of the AIS system. However, the Identifier does not conform to any of the specific existing IEC AIS standards and therefore does not carry any international approvals. The Identifier will require local approval by the relevant authorities. True Heading will provide all necessary technical support to assist in this process, and justify the integrity of the Identifier within the AIS system.



True Heading Dealer



Vendevägen 90
182 32 DANDERYD
SWEDEN
Phone +46 8 6222660
Fax +46 54593910
info@trueheading.se



www.trueheading.se